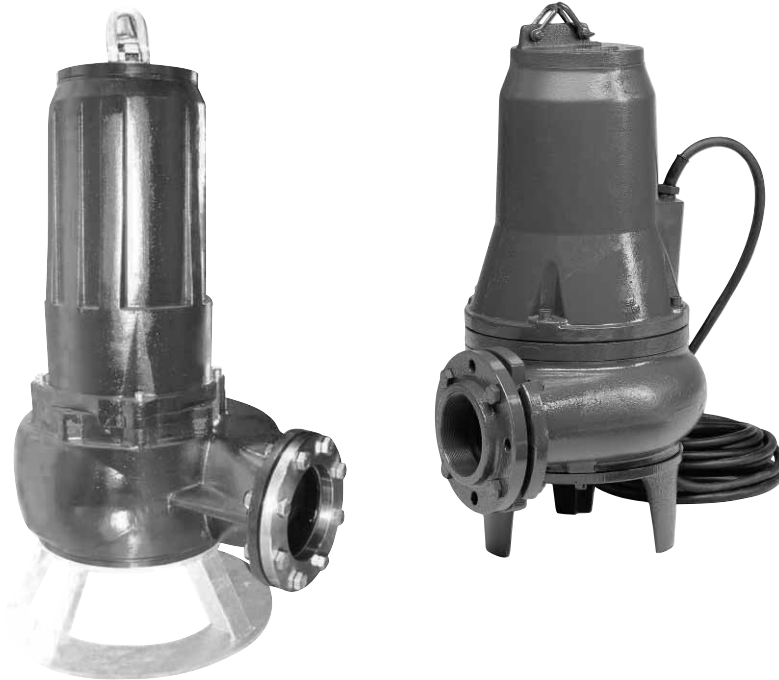


---

# FEKA 2500-3000-4000-6000

## SUBMERSIBLE PUMPS FOR CESSPOOLS



---

## GENERAL DATA

### Applications

Submersible cast iron pump with vortex backflowing impeller for cesspools. Suitable for lifting or drainage installations for sewage from cesspools and for generally dirty water containing solids (see technical particulars). Also suitable for ground water, rain water, clean and dirty waste water, river or lake water.

### Constructional features of the pump

Cast iron pump body, motor casing, suction cover and impeller.

Stainless steel rotor and screws.

Double mechanical seal with inspectable oil seal chamber.

The flanged supply vent: Ø 65 mm for FEKA 2500 - FEKA 2700  
Ø 80 mm for FEKA 3000 - FEKA 3500 - FEKA 3700  
Ø 100 mm for FEKA 4000 - FEKA 4125 - FEKA 4150 - FEKA 4200  
Ø 150 mm for FEKA 6075 - FEKA 6100 - FEKA 6120 - FEKA 6150  
FEKA 6200 - FEKA 6250 - FEKA 6300

The pumps are supplied with threaded counter-flange (mass-produced).

On request, lifting devices are available, they facilitate the pump's descent in the cesspools and allow to execute the maintenances without disassembling the

### Constructional features of the motor

Continuous duty submersible induction motor, in a watertight casing.

Rotor mounted on oversized greased sealed-for-life ball bearings.

Thermal protection in the windings, to be connected to the control panel.

In order to operate, the pumps must be equipped with a control and protection system, supplied separately and not connected to the electropumps.

Supplied with 10 metres of neoprene rubber power cable 6x(4x1.5)+(2x0.5).

Motor protection: IP68

Insulation class: F

Manufactured according to CEI 2-3 standards.

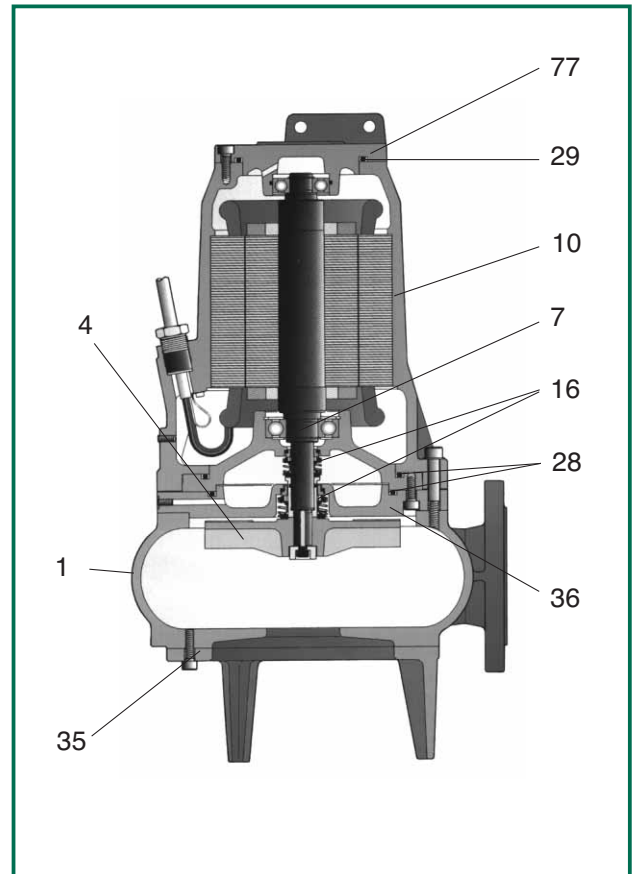
Voltage: 3X400 V 50 Hz (fitted in  $\lambda \Delta$  for Feka 4100.4T - 4100.2T - 4150.2T - 4125.2T - 4200.2T, Feka 6075.6T - Feka 6100.6T - Feka 6120.4T - Feka 6200.4T - Feka 6250.4T - Feka 6300.4T).

Special executions on request: other voltages and/or frequencies, thermal protection in the windings and oil sensor (for all Feka 6000 models).

# TECHNICAL DATA

N.	PARTS*	MATERIALS
1	PUMP BODY	CAST IRON 200 UNI ISO 185
4	IMPELLER	CAST IRON 200 UNI ISO 185
7	MOTOR SHAFT	STAINLESS STEEL AISI 416 X12CrS13 - UNI 6900/71
10	MOTOR CASING	CAST IRON 200 UNI ISO 185
16	MECHANICAL SEAL	SILICON CARBIDE
28	OR GASKET	NBR
29	OR GASKET	NBR
35	SUCTION COVER	CAST IRON 200 UNI ISO 185
36	MECHANICAL SEAL	CAST IRON 200 UNI ISO 185
77	PROTECTION COVER	CAST IRON 200 UNI ISO 185

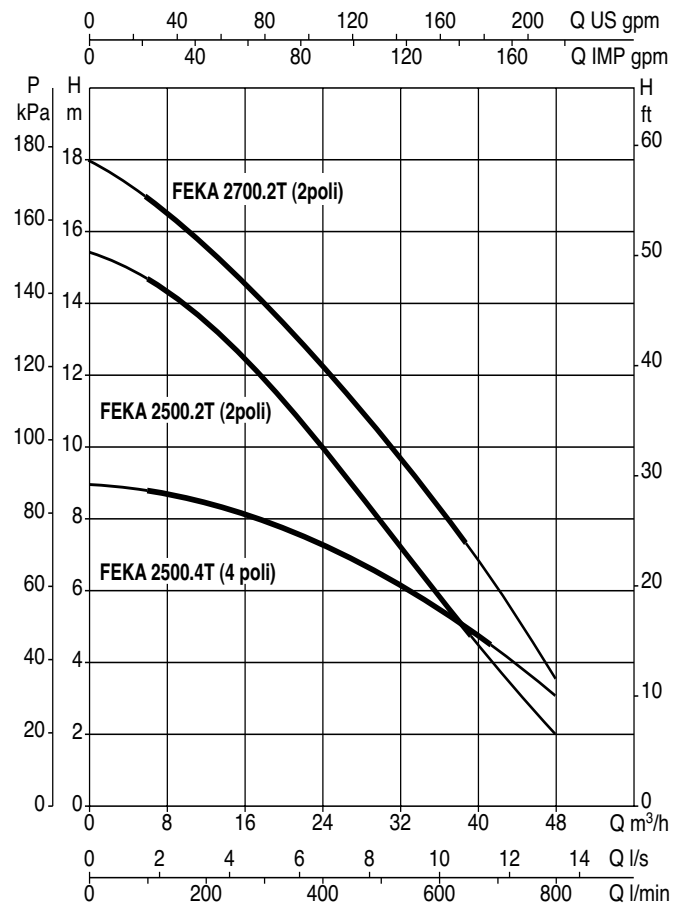
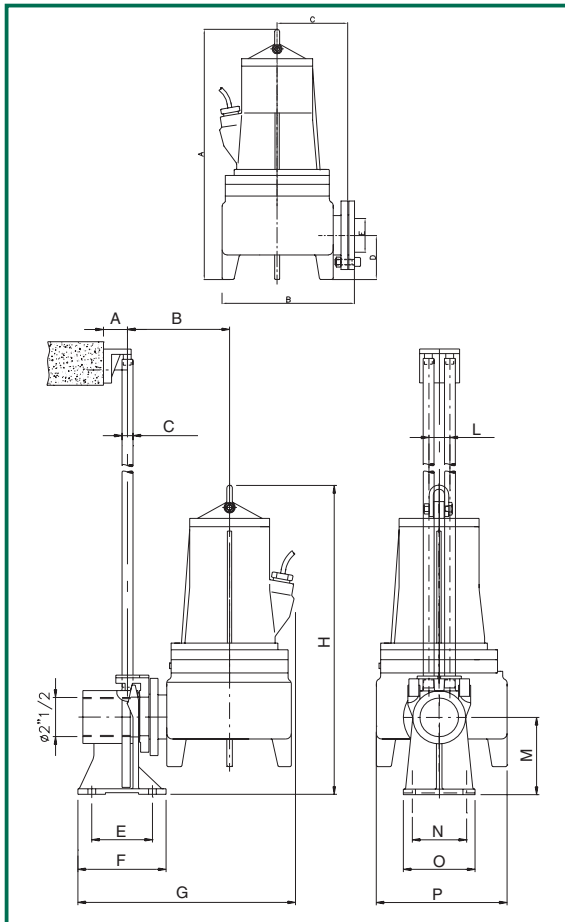
\* In contact with the liquid



- Operating range: from 7 to 516 m<sup>3</sup>/h in continuous duty with head up to 40 m;
- Liquid quality requirements: waste water, water in general containing solid bodies (view free passage in dimensions table), ground water, rain water, clean and black waste water, river or lake water, always non aggressive;
- Liquid temperature range: from 0°C to +55°C
- Maximum immersion depth: 10 metres
- Installation: fixed or portable in a vertical position

The performance curves are based on the kinematic viscosity values = 1 mm<sup>2</sup>/s and density equal to 1000 kg/m<sup>3</sup>. Curve tolerance according to ISO 9906.  
Liquid temperature range: from 0°C to +55°C

## FEKA 2500



### Packing dimension of the pump

MODEL	A	B	C	D	E	G	FREE PASSAGE OF SOLIDS mm	WEIGHT Kg
FEKA 2500.4T	515	273	158	90	62	2" 1/2	62	40
FEKA 2500.2T								45
FEKA 2700.2T								47

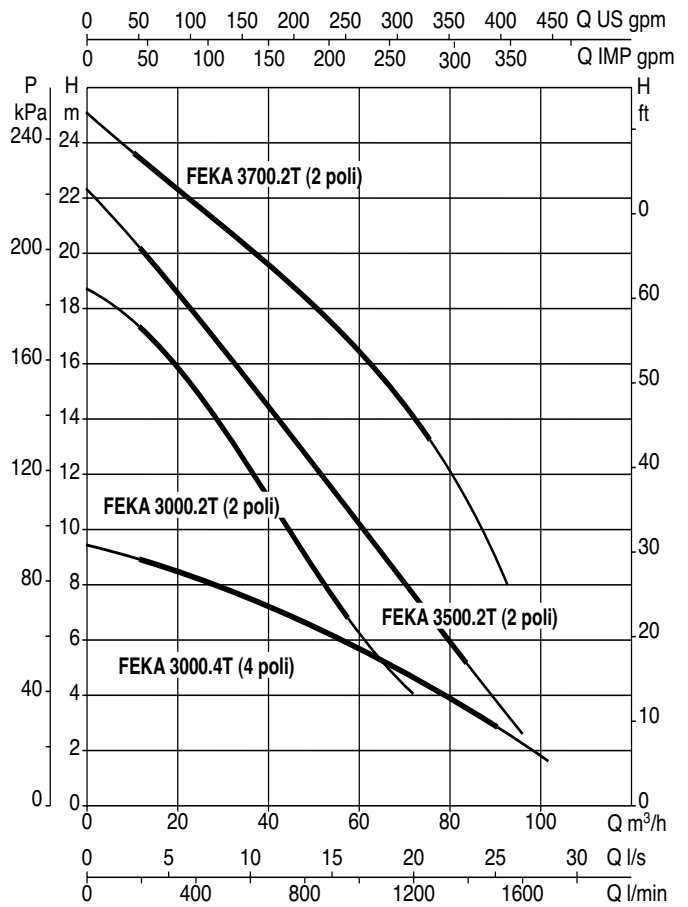
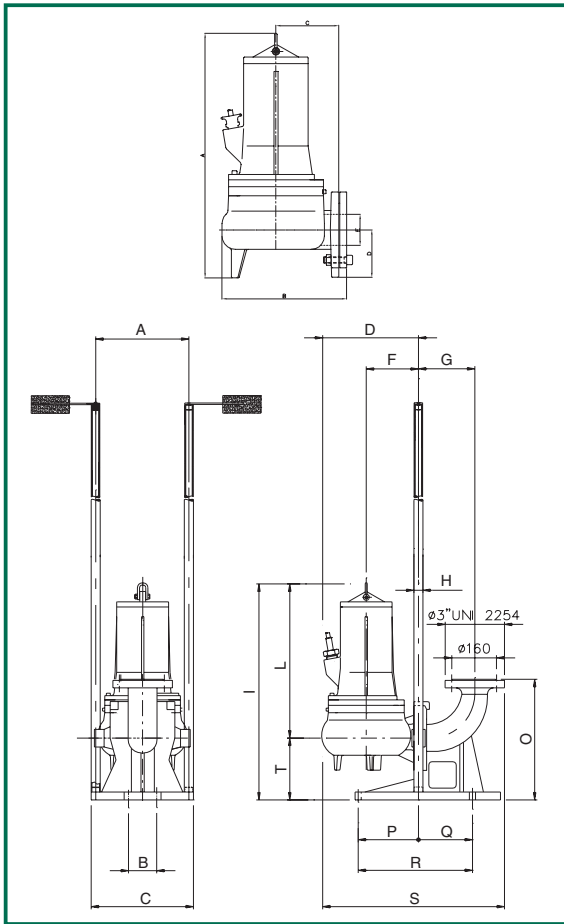
### Dimensions with lifting device

MODEL	A	B	C	D	E	F	G	H	L	M	N	O	P
FEKA 2500.4T	80	190	3/4"	2" 1/2	110	150	418	530	38	140	100	130	228
FEKA 2500.2T													
FEKA 2700.2T													

MODEL	ELECTRICAL DATA					HYDRAULIC DATA							
	VOLTAGE 50 Hz	P2 NOMINAL kW HP		In A	RPM 1/min.	Q m³/h Lt/min.	0	6	12	18	24	36	48
FEKA 2500.4T	3x400 V~	1,8	2,5	4,6	1400	H (m)	0	100	200	300	400	600	800
FEKA 2500.2T	3x400 V~	1,8	2,5	4,8	2800		9	8,75	8,4	7,8	7,2	5,4	2
FEKA 2700.2T	3x400 V~	2,2	3	5,4	2840		15,5	14,9	13,6	11,9	10	5,9	3
							18	17	15,6	14	12,2	8,3	3,9

The performance curves are based on the kinematic viscosity values = 1 mm<sup>2</sup>/s and density equal to 1000 kg/m<sup>3</sup>. Curve tolerance according to ISO 9906.  
Liquid temperature range: from 0°C to +55°C

## FEKA 3000



### Packing dimension of the pump

MODEL	A	B	C	D	E	G	FREE PASSAGE OF SOLIDS mm	WEIGHT Kg
FEKA 3000.4T	620	315	185	125	82	3"	79	76
FEKA 3000.2T		365	203		68		67	72
FEKA 3500.2T							74	
FEKA 3700.2T		50	76					

### Dimensions with lifting device

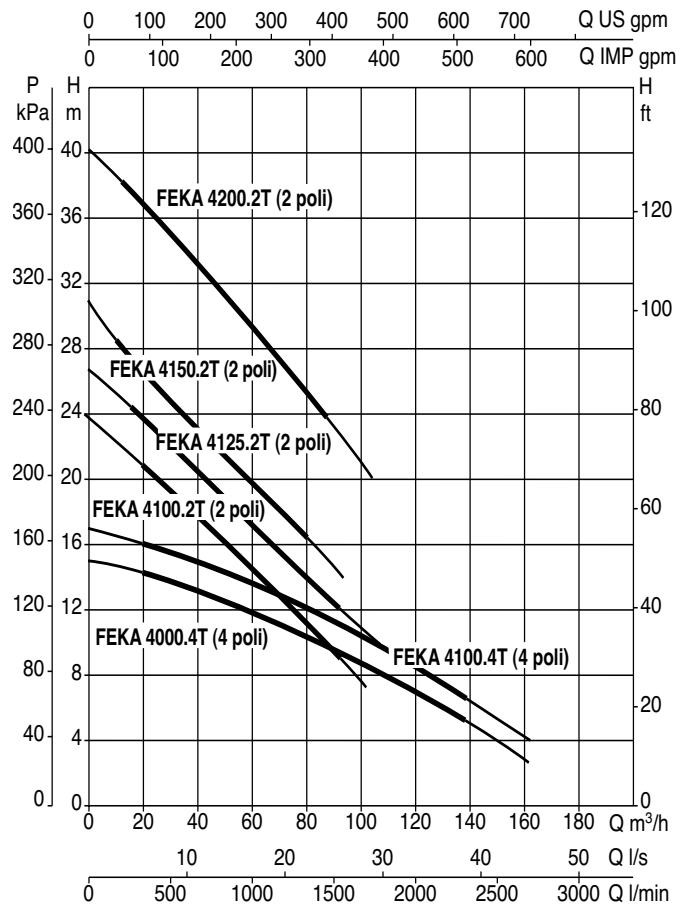
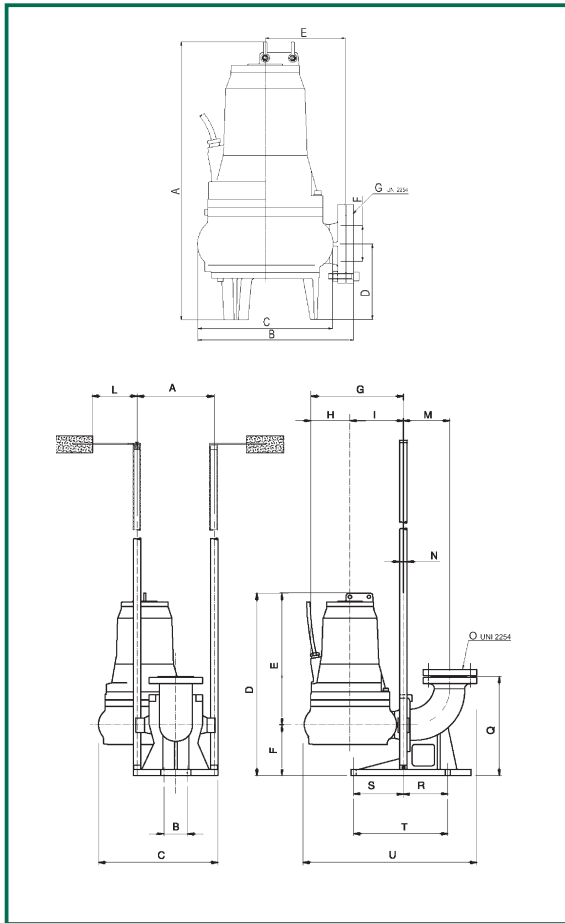
MODEL	A	B	C	D	F	G	H	I	L	O	P	Q	R	S	T
FEKA 3000.4T	353	110	422	315	175	180	2"	700	480	375	240	150	390	638	220
FEKA 3000.2T				330											
FEKA 3500.2T															
FEKA 3700.2T															

MODEL	ELECTRICAL DATA					HYDRAULIC DATA														
	VOLTAGE 50 Hz	P2 NOMINAL kW	HP	In A	RPM 1/min.	Q m³/h	0	12	18	24	36	48	60	72	84	96	102			
FEKA 3000.4T	3x400 V~	3,6	5	7,8	1400	9,5	8,9	8,5	8,2	7,4	6,5	5,6	4,6	3,6	2,4	1,8				
FEKA 3000.2T	3x400 V~	3,7	5	9,8	2800	18,7	17,5	16,6	15,4	12,6	9,5	6,4	4							
FEKA 3500.2T	3x400 V~	4,4	6	10	2910	22,3	20,4	19,1	17,9	15,2	12,8	10	7,5	5	2,5					
FEKA 3700.2T	3x400 V~	5,5	7,5	12	2900	25	23,4	22,6	21,9	20,2	18,5	16,5	14	10,8						

The performance curves are based on the kinematic viscosity values = 1 mm<sup>2</sup>/s and density equal to 1000 kg/m<sup>3</sup>. Curve tolerance according to ISO 9906.

Liquid temperature range: from 0°C to +55°C

## FEKA 4000



### Packing dimension of the pump

MODEL	A	B	C	D	E	F	G	FREE PASSAGE OF SOLIDS mm	WEIGHT Kg
FEKA 4000.4T	774	410	366	227	225	100	4"	98	149
FEKA 4100.4T									158
FEKA 4100.2T									142
FEKA 4125.2T	874	410	366	227	225	100	4"	83	148
FEKA 4150.2T									160
FEKA 4200.2T									220

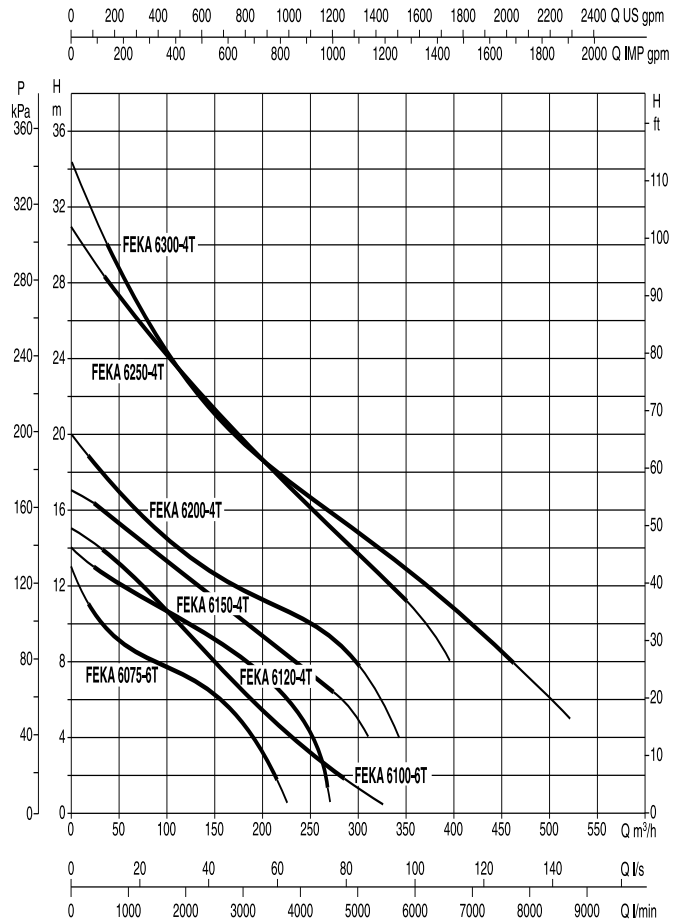
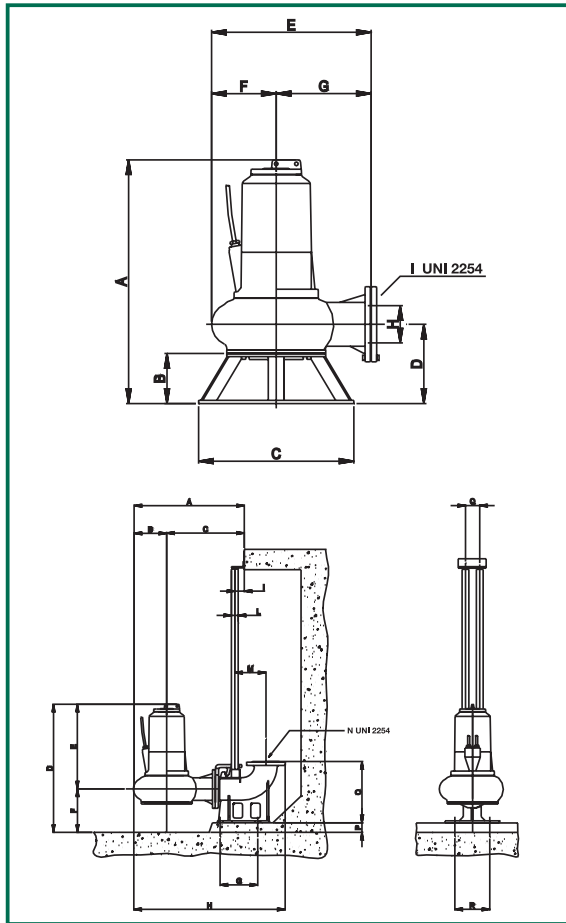
### Dimensions with lifting device

MODEL	A	B	C	D	E	F	G	H	I	L	M	N	O	P	Q	R	S	T	U
FEKA 4000.4T	355	110	520	774	547	227	410	185	225	300	200	ø 2"	ø 4"	-	420	180	280	460	730
FEKA 4100.4T																			
FEKA 4100.2T																			
FEKA 4125.2T																			
FEKA 4150.2T																			
FEKA 4200.2T																			

MODEL	ELECTRICAL DATA				HYDRAULIC DATA															
	VOLTAGE 50 Hz	P2 NOMINAL kW	HP	In A	RPM 1/min.	Q m³/h	0	24	36	48	60	72	84	96	102	120	138	150	162	
FEKA 4000.4T	3x400 V~	6	8	15	1400	H (m)	15,3	14,3	13,7	12,9	12	11,2	10,3	9,3	8,8	7,1	5,5	4,3	3	
FEKA 4100.4T	3x400 V~ (λ/Δ)	7,5	10	20	1400		17	16	15,2	14,7	13,8	12,8	11,8	10,6	10	8,3	6,5	5,2	4	
FEKA 4100.2T	3x400 V~ (λ/Δ)	7,5	10	22,5	2800		24	20,4	18,2	16,1	14,3	12,3	10,2	8,4	7,6					
FEKA 4125.2T	3x400 V~ (λ/Δ)	9,2	12,5	26	2930		27	23,5	21,3	19,5	17,3	15,3	13,5	10,9						
FEKA 4150.2T	3x400 V~ (λ/Δ)	11	15	23	2890		31	25,8	23,8	22	20	18,2	16							
FEKA 4200.2T	3x400 V~ (λ/Δ)	15	20	31	2920		40	36,6	34,3	32	29,8	27,6	25	22	20,6					

The performance curves are based on the kinematic viscosity values = 1 mm<sup>2</sup>/s and density equal to 1000 kg/m<sup>3</sup>. Curve tolerance according to ISO 9906.  
Liquid temperature range: from 0°C to +55°C

## FEKA 6000



### Packing dimension of the pump

MODEL	A	B	C	D	E	F	G	H	I	FREE PASSAGE OF SOLIDS mm	WEIGHT Kg
FEKA 6075.6T	950	190	590	301	602	240	362	150	DN 150	95	200
FEKA 6100.6T	1150	190	590	317	657	271	386	150	DN 150	108	300
FEKA 6120.4T	950	190	590	301	602	240	362	150	DN 150	95	200
FEKA 6150.4T	950	190	590	301	602	240	362	150	DN 150	95	212
FEKA 6200.4T	950	190	590	301	602	240	362	150	DN 150	95	226
FEKA 6250.4T	1150	190	590	317	657	271	386	150	DN 150	108	330
FEKA 6300.4T	1150	190	590	317	657	271	386	150	DN 150	108	340

### Dimensions with lifting device

MODEL	A	B	C	D	E	F	G	H	I	L	M	N	O	P	Q	R
FEKA 6075.6T	810	240	570	970	650	320	300	1100	70	ø 2"	229	DN 150	450	70	105	275
FEKA 6100.6T	871	271	600	1155	835	320	300	1174	70	ø 2"	229	DN 150	450	70	105	275
FEKA 6120.4T	810	240	570	970	650	320	300	1100	70	ø 2"	229	DN 150	450	70	105	275
FEKA 6150.4T	810	240	570	970	650	320	300	1100	70	ø 2"	229	DN150	450	70	105	275
FEKA 6200.4T	810	240	570	970	650	320	300	1100	70	ø 2"	229	DN 150	450	70	105	275
FEKA 6250.4T	871	271	600	1155	835	320	300	1174	70	ø 2"	229	DN 150	450	70	105	275
FEKA 6300.4T	871	271	600	1155	835	320	300	1174	70	ø 2"	229	DN 150	450	70	105	275

MODEL	ELECTRICAL DATA				HYDRAULIC DATA																						
	VOLTAGE 50 Hz	P2 NOMINAL kW	HP	In A	RPM 1/min.	Q m³/h	0	36	48	60	72	84	96	102	120	138	150	162	180	210	240	270	300	360	420	516	
FEKA 6075.6T	3x400 V~ (λ/Δ)	5,5	7,5	12	950	H (m)	13	9,5	9,0	8,8	8,2	7,8	7,6	7,4	7,1	6,4	6,0	5,2	4,8	2,2							
FEKA 6100.6T	3x400 V~ (λ/Δ)	7,5	10	19	950		15	13,5	13,0	12,8	11,8	11,2	10,4	10,2	9,5	8,2	7,8	6,8	6,5	5,0	3,5	2,5	1,2				
FEKA 6120.4T	3x400 V~ (λ/Δ)	8,8	12	23	1450		14	12,5	11,8	12,5	11,2	10,8	10,4	10,2	10,0	9,4	8,8	8,4	8,1	6,9	5,0	3,2					
FEKA 6150.4T	3x400 V~ (λ/Δ)	11	15	26	1450		17	16	15,8	15,2	14,9	14,4	13,9	13,4	12,4	11,8	11,2	10,8	10,0	8,2	7,7	5,8	4,8				
FEKA 6200.4T	3x400 V~ (λ/Δ)	15	20	31	1450		20	17,5	16,8	16,5	15,2	14,8	14,4	14,2	13,5	12,8	12,4	11,8	11,8	11,0	10,7	9,5	8,0				
FEKA 6250.4T	3x400 V~ (λ/Δ)	18,5	25	37	1450		31	28,0	27,0	26,5	25,4	24,6	24,0	23,8	23,0	21,6	20,6	20,0	20,0	18,5	16,5	15,0	12,5	10,5			
FEKA 6300.4T	3x400 V~ (λ/Δ)	22	30	46	1450		34,3	29,8	28,2	27,9	26,2	25,0	24,0	23,8	23,0	21,6	20,6	20,0	19,5	18,0	17,1	16,0	15,0	12,3	10,0	4,8	